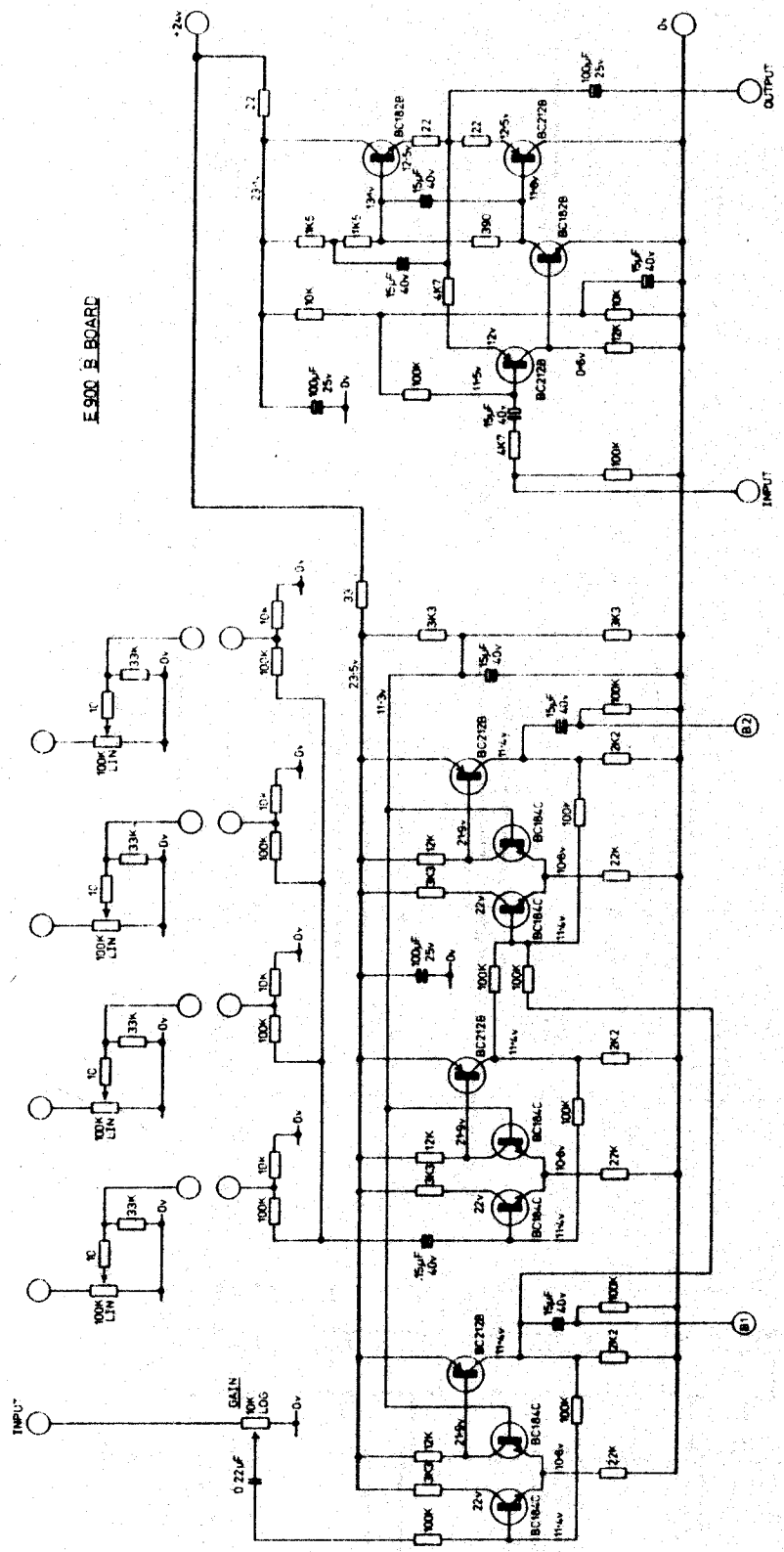


THIRD ANGLE PROJECTION. DO NOT SCALE THIS DRAWING. IF IN DOUBT ASK REMOVE ALL BURRS AND SHARP EDGES

DRG No. ADR-0212-C



E 900 B BOARD

LINE DRIVE AMPLIFIER

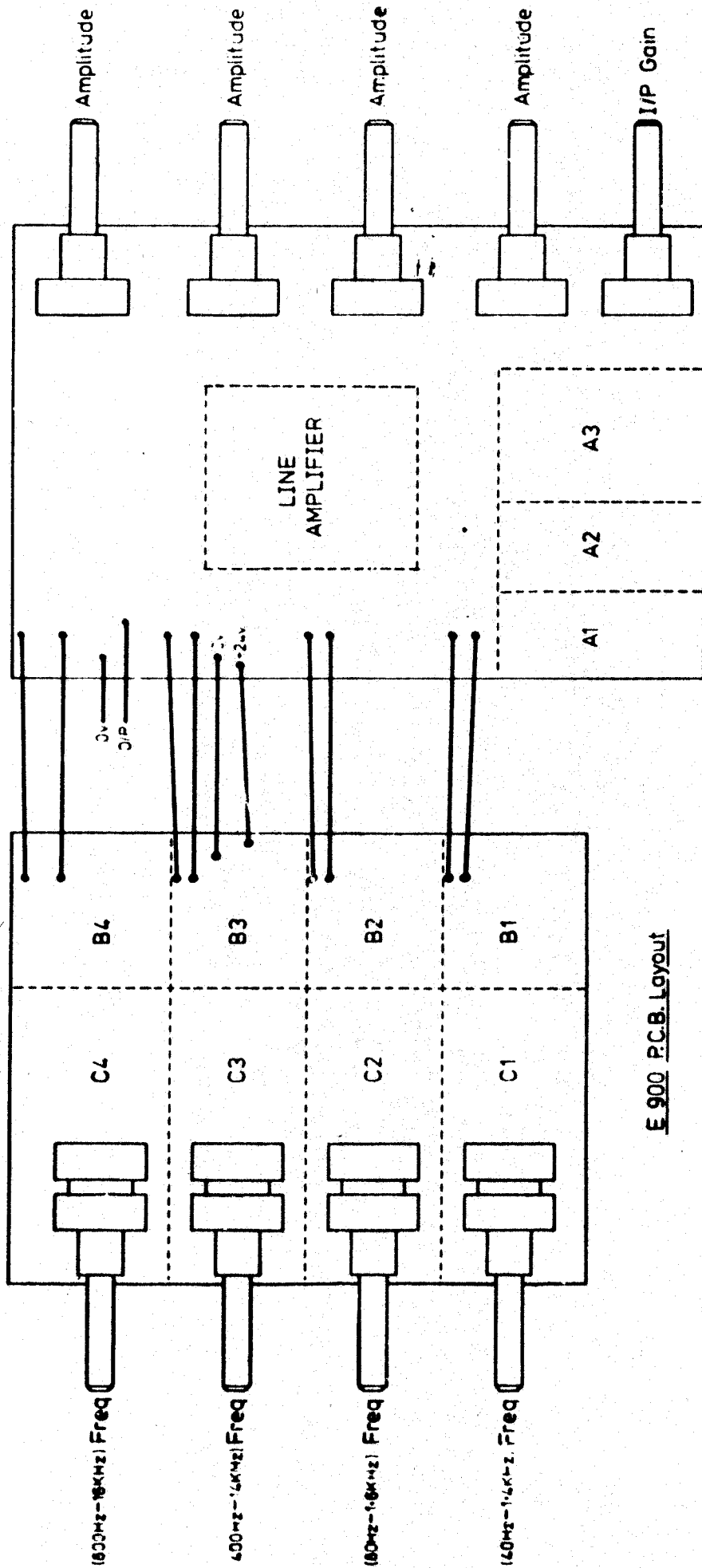
A1 A2 A3

ISS		ALTERATION		USED ON		MATERIAL		FINISH		SCALE		TITLE	
A													B BOARD
													CIRCUIT DIAGRAM
													E 900 Sweep Equaliser
													A 2
													A
													DRG No. ADR-0212-C
													SIG. ISS.
													DATE
													6/6/75

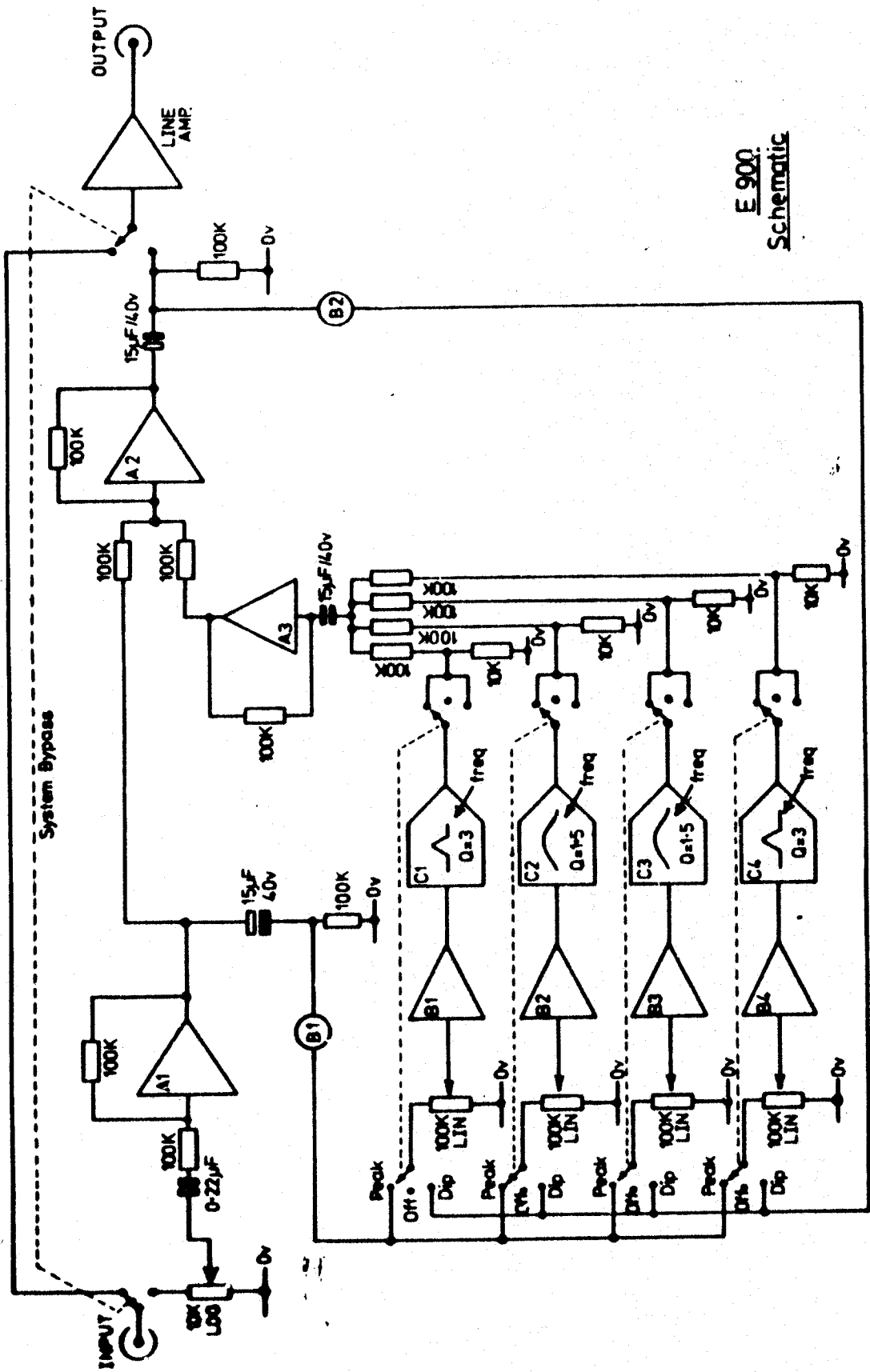
AUDIO & DESIGN RECORDING

6/6/75

ADR-0212-C



E 900 P.C.B. Layout



E 900
Schematic

AUDIO & DESIGN (RECORDING) Ltd - Rack Units: Basic Power Supply

