

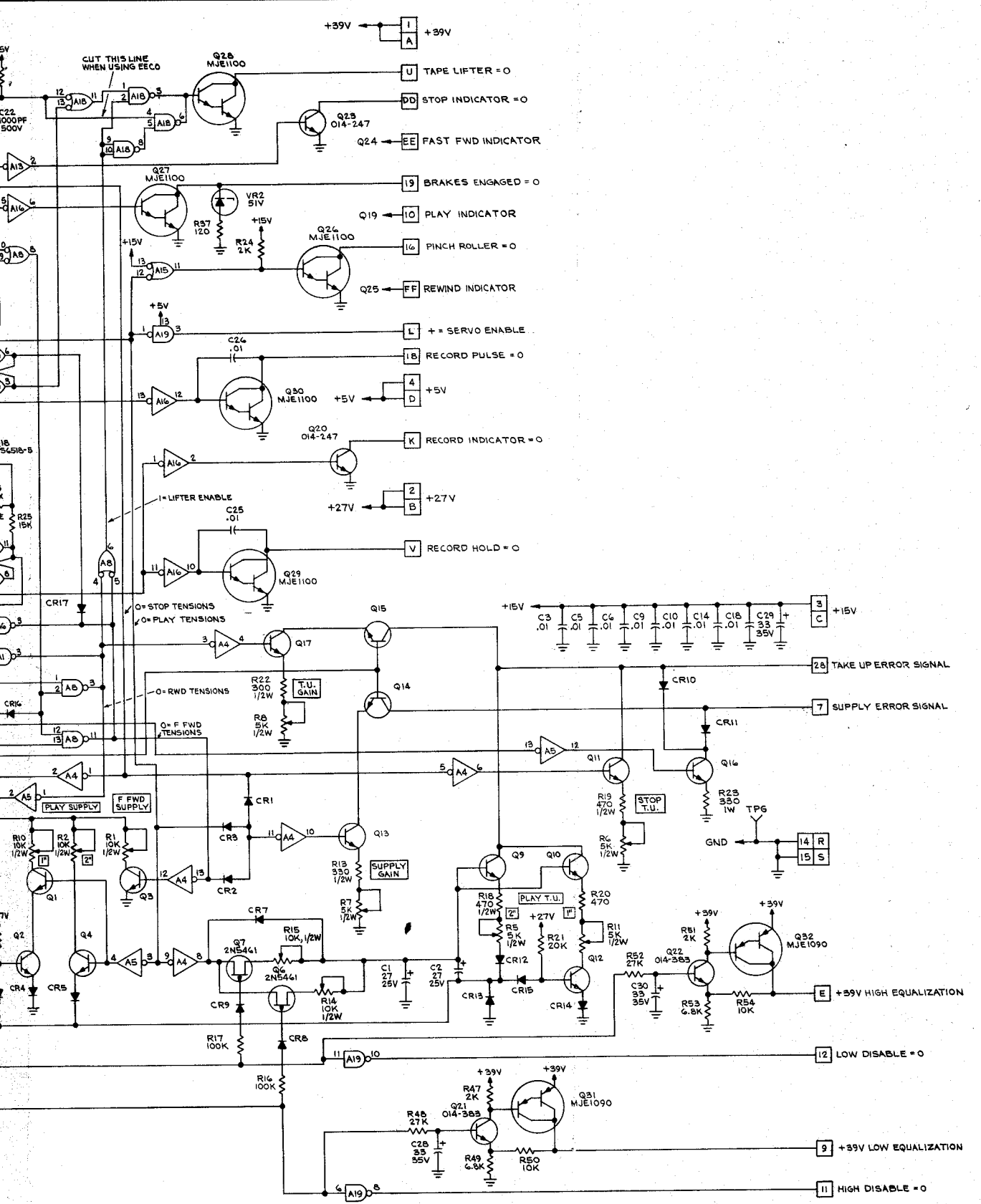
- TENSION SELECT 5  
O= 2" HEAD ASSY
- + = HIGH SPEED 13
- + = LOW SPEED N

NOTES: UNLESS OTHERWISE SPECIFIED

1. RESISTANCE VALUES ARE IN OHMS, 1/4W, ±5%.
2. CAPACITANCE VALUES ARE IN MICROFARADS, 100V.
3. DIODES ARE PART NUMBER 013-599.
4. TRANSISTORS ARE PART NUMBER 014-248.
5. P.W. ASSY NO. 4050864-02.

FIELD SERVICE SUBSTITUTION LIST	
AMPEX PART NUMBER	NEAREST COMM EQUIVALENT
013-599	1N914
013-985	1N752A
581-298	1N4757A
014-247	2N2219
014-248	2N2222
014-383	2N2484
014-781	MPS6518-B
580-166	2N5461
580-444	MJE1090
580-467	MJE1100

REFERENCE DESIGNATIONS	
LAST USED	NOT USED
A19	C7
CR30	
CR22	
Q32	
R55	
TP1,G	
VR2	



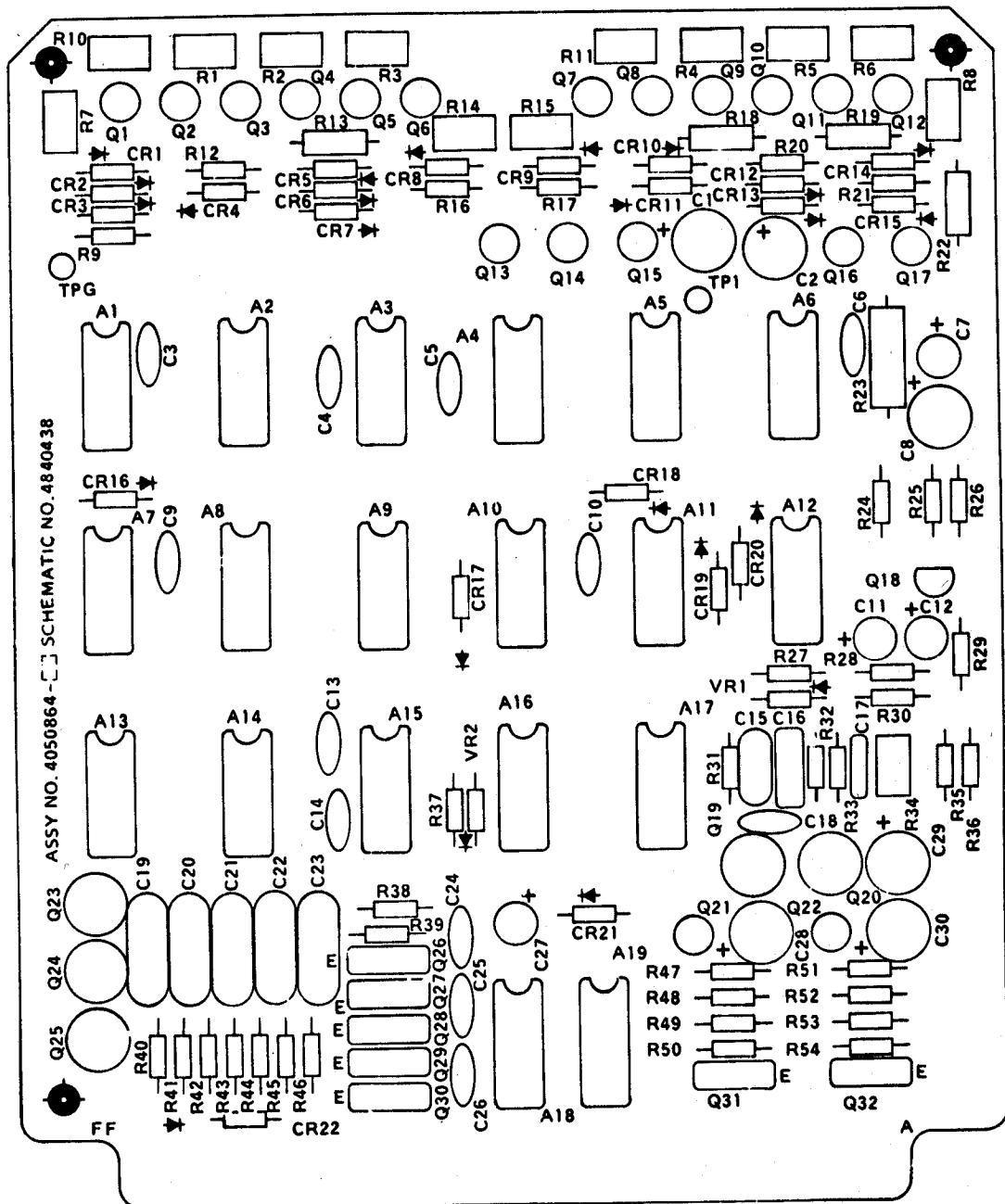
T.C. LIST

REFERENCE DESIGNATIONS	A1, 3, 4, 7, 8, 10, 15, 17, 18	A2, 9, 14	A4, 5, 13, 16	A11, 12	A19
AMPEX P/N	587-102	587-101	587-105	586-268	586-795
VENDOR P/N	MCG68P	MCG61P	MCG80P	UA741	MCG65P
VOLTAGE PIN	14	14	14	11	14
GROUND PIN	7	7	7	C	7

Schematic No. 4840438B.  
Transport Control PWA

ITEM NO.	AMPEX PART NO.	REFERENCE NUMBER	DESCRIPTION	JEDEC NO. OR MFR. PART NO.
	4050864-01		TRANSPORT CONTROL PWA (NHA 4020403)	
3	52528-01		HANDLE, SNAP-ON	
5	4840438		SCHEMATIC	
7	013-599	CR1-22	DIODE	1N914
8	013-983	VR1	DIODE	1N752A
9	581-298	VR2	DIODE	1N4757A
11	014-247	Q19,20,23-25	TRANSISTOR	2N2219
12	014-248	Q1-5,8-17	TRANSISTOR	2N2222
13	014-383	Q21,22	TRANSISTOR	2N2484
14	014-781	Q18	TRANSISTOR	MPS6518-5
15	580-156	Q6,7	TRANSISTOR	2N5461
16	580-464	Q31,32	TRANSISTOR	MJE1090
17	580-467	Q26-30	TRANSISTOR	MJE1100
19	056-163	C15	CAPACITOR, MICA, 470 PF, 500V, 5%	
20	034-153	C19-23	CAPACITOR, MICA, 1000 PF, 500V, 5%	
22	055-166	C17	CAPACITOR, MYLAR, 0.001 UF, 50V, 5%	
23	030-057	C3-5,6,9,10,13,14, 18,24-26	CAPACITOR, CER, 0.01 UF, 100V, 20%	
24	035-883	C16	CAPACITOR, MYLAR, 0.068 UF, 50V, 5%	
25	037-899	C7	CAPACITOR, TANT, 0.1 UF, 35V, 20%	
26	037-790	C27	CAPACITOR, TANT, 2.2 UF, 20V, 20%	
27	037-109	C11,12	CAPACITOR, TANT, 10 UF, 20V, 10%	
28	037-936	C8	CAPACITOR, TANT, 22 UF, 35V, 20%	
29	037-945	C1,2	CAPACITOR, TANT, 27 UF, 25V, 20%	
30	037-938	C28-30	CAPACITOR, TANT, 33 UF, 35V, 20%	
31	049-559	R37	RESISTOR, COMP, 120 OHM, 1/4W, 5%	
32	041-396	R35,36	RESISTOR, COMP, 220 OHM, 1/4W, 5%	
33	041-560	R9,24,47,51	RESISTOR, COMP, 2K, 1/4W, 5%	
34	041-413	R49,53	RESISTOR, COMP, 6.8K, 1/4W, 5%	
35	041-408	R30,50,54	RESISTOR, COMP, 10K, 1/4W, 5%	
36	041-428	R20	RESISTOR, COMP, 470 OHM, 1/4W, 5%	
38	041-409	R25,38-46	RESISTOR, COMP, 15K, 1/4W, 5%	
39	041-508	R21	RESISTOR, COMP, 20K, 1/4W, 5%	
40	041-483	R12,48,52	RESISTOR, COMP, 27K, 1/4W, 5%	
41	041-518	R26,32	RESISTOR, COMP, 33K, 1/4W, 5%	
42	041-394	R16,17	RESISTOR, COMP, 100K, 1/4W, 5%	
43	041-432	R27,28	RESISTOR, COMP, 220K, 1/4W, 5%	
44	041-469	R33	RESISTOR, COMP, 330K, 1/4W, 5%	
45	041-772	R29	RESISTOR, COMP, 1.2M, 1/4W, 5%	
46	041-774	R31	RESISTOR, COMP, 1.5M, 1/4W, 5%	
48	041-528	R13,22	RESISTOR, COMP, 300 OHM, 1/2W, 5%	
49	041-336	R18,19	RESISTOR, COMP, 470 OHM, 1/2W, 5%	
50	041-501	R23	RESISTOR, COMP, 330 OHM, 1W, 5%	
52	075-128	R1-4,10,14,14	RESISTOR, VAR, CER, 10K, 1/2W, 10%	
53	075-129	R5,6,7,8,11	RESISTOR, VAR, CER, 5K, 1/2W, 10%	
54	075-131	R34	RESISTOR, VAR, CER, 1M, 1/2W, 10%	
57	586-268	A11,12	INTEGRATED CIRCUIT	UA741
58	586-795	A19	INTEGRATED CIRCUIT	MC665P
59	587-101	A2,9,14	INTEGRATED CIRCUIT	MC661P
60	587-102	A1,3,6-8,10,15, 17,18	INTEGRATED CIRCUIT	MC668P
61	587-103	A4,5,13,16	INTEGRATED CIRCUIT	MC680P
63	280-998		PAD, MTG, TRANSISTOR, T0-5, REF: Q19,20,23-25	
64	280-130		PAD, MTG, TRANSISTOR, T0-18, T0-92	

SHEET 1 OF 1



ASSY NO. 4050864 - [ ] SCHEMATIC NO. 4840438

Assembly No. 4050864. Transport Control PWA